

Technical Specifications

LP-1 MM/MC Phono Preampfier

- . Max. Output Voltage: 5V
- . Distortion: 0.01%
- . S/N Ratio: 90dB (MM), 70dB (MC)
- . Input Impedance (MM): 47kohms
- . Input Impedance (MC): 20ohms, 50ohms, 75ohms, 100ohms, 200ohms
- . MM Amplification Gain: 35dB
- . MC Amplification Gain: 62dB
- . Output Impedance: 2kohms
- . Subsonic Filter: 20Hz or 40Hz
- . Input Supply Voltage: AC100-120 / AC220-240
- . Max. Power Consumption: 20W
- . Tubes Required: 6N3 (5670)
- . Dimensions: 189x150x100mm (WxDxH)
7.44"x5.91"x3.94"
- . Weight: 2kg / 4.41lbs

*Thank-you for selecting DARED as your choice
for your audio entertainment system and
listening pleasure.*

Experience The Art of Tube

dared

Tube . The Purity of Sound

dared

LP-1 User Manual



MM/MC Phono Preampfier

Dear Valued Customer:

Thank-you for purchasing our revolutionary MM/MC Phono Preamplifier for your home or office as part of your music entertainment system. This component has been designed to offer state-of-the-art high-end performance in an elegant package while retaining all the sonic hallmarks on which DARED has been recognized for since 1995. Our dedication to the “Purity of Sound” is an important reason why our products are sought after retain their value over time.

The performance of your LP-1 will continue to improve during the first 480 hours of listening. This is the result of a “break-in” period required for the numerous high quality electronic parts and ageing of the tube used throughout this integrated amplifier. Before use we encourage you to please read this manual thoroughly to properly acquaint yourself with its features. We hope you enjoy listening to our Product as much as we have had the pride that we have taken in manufacturing this fine receiver for your listening pleasure. Thank-you for choosing DARED for your audio experience!

UNPACKING: The DARED LP-1 MM/MC Phono Preamplifier should be removed from its box with care. The following accessories should be found inside:

- . AC power supply with cable
- . Tube Cover
- . This Owner's Manual
- . Tube

As soon as the amplifier is safely removed from its packaging please perform a thorough physical inspection and report any physical damage to your dealer immediately. We suggest that you keep all of the original packaging, storing in a safe, dry place in the event that you may need it later to transport or move this product.

At this time also please locate the Product Registration Card and write down the serial number of your new LP-1 in the space provided on the card as well as below for future reference.

Serial No.: _____ Date of Purchase: _____

MAINTENANCE:

Tube Replacement

When Should I replace a tube? This is a hard one to Answer as in this unit your tube should last depending on its use for a very long period of time. If you hear unusual sounds, squeals, or have low audio output, or distorted output, it is time to consider replacing the tube. Your DARED Dealer may assist. Replace tubes always with the same model number.

Regular Care

Keep the unit clean and free of dust.

Always turn off power and let the tube cool before cleaning the tube area and unit.

The vacuum tube may be removed easily with a gentle jiggle while lifting the tube upwards out of its socket. Use the same method when reinstalling the tubes. Only touch when cool.

When cool the vacuum tubes may be cleaned with a soft and slightly dampened microfiber cloth.

The case may be cleaned with a slightly dampened microfiber cloth and then polished using a separate dry soft microfiber cloth.

Basic Troubleshooting

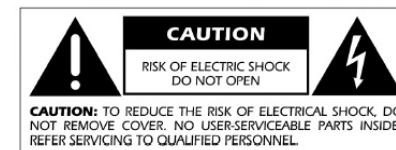
Symptom	Observation	Possible Solution
A. Unit does not power up	AC Power On light does not come on	1) Check if power cord is plugged into a powered AC outlet 2) Check if external power supply switch is turned on. 3) Check if LP-1 power switch is turned on
B. Vacuum Tube does not glow or light up	With external power supply turned on, LP-1 power switch turned on, power indicator on, tube does not light	1) Check if tube is correctly installed and secure in socket 2) Change out tube for same model number
C. No Sound from speakers connected to amplifier	Turntable working, LP-1 seems to be working	1) Check selector switch: MM to MC, make sure proper input selected 2) Ensure that phono output is connected to correct MM or MC input 3) Check that phono output is connected to pre-amp LINE input
D. Sound is distorted	Turntable working, sound volume is low, distorted	1) Check to see if proper cartridge input is selected: MM or MC 2) Check settings of LP-1 3) Change tube

IF you continue to experience difficulty and cannot solve your issue or have other problems or where the particular problem is not listed, disconnect the power cord and contact your Authorized DARED Dealer for assistance.

SAFETY NOTICES:

1. Read these instructions.
2. Keep these instructions.
3. Heed all warnings and follow all instructions in this Manual.
4. Do not use this apparatus near water.
5. Clean only with a dry cloth.
6. Do not block ventilation openings. Install in accordance with instructions.
7. Do not install near any heat sources such as radiators, heat registers, stoves or another apparatus that produces heat.
8. Do not defeat the safety purpose of the polarized or grounding type plug. If the provided plug does not fit into the outlet, consult your Reseller.
9. Protect the power cord from being walked on or pinched, particularly at plugs, convenience receptacles, etc... Unplug the AC mains cord as well as all other connecting cables during transportation.
10. Only use attachments and accessories specified by DARED or your Authorized DARED Dealer.
11. Use a surge protector on the main AC-Line to this component as well as all other components connected to this product. Unplug this apparatus during lightning storms or when unused for long periods of time.
12. Refer all servicing to qualified service personnel. **NO USER SERVICEABLE PARTS INSIDE.** Owner may change tubes.

WARNING: TO REDUCE THE RISK OF FIRE OR ELECTRIC SHOCK, DO NOT EXPOSE THIS APPLIANCE TO RAIN OR MOISTURE.

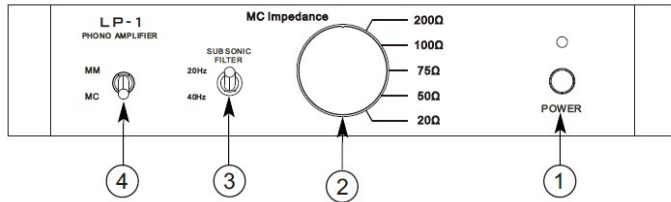


OTHER SAFETY CONSIDERATIONS

1. ALWAYS disconnect your entire system from the AC mains before connecting or disconnecting any cables, or when cleaning any component. To completely disconnect this apparatus from the AC mains, disconnect the power supply cord plug from the AC receptacle.
2. NEVER use flammable or combustible chemicals for cleaning audio components.
3. NEVER wet the inside of this component with any liquid. If a liquid substance does enter your unit, immediately disconnect it from the AC main and take it to your DARED Dealer for inspection.
4. NEVER spill or pour liquids directly onto this component.
5. NEVER block air flow through ventilation slots or heat sinks.

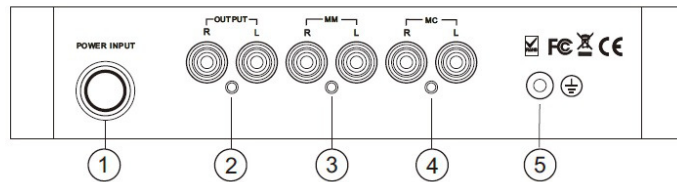
FAMILIARIZING YOURSELF WITH YOUR LP-1

Front Panel



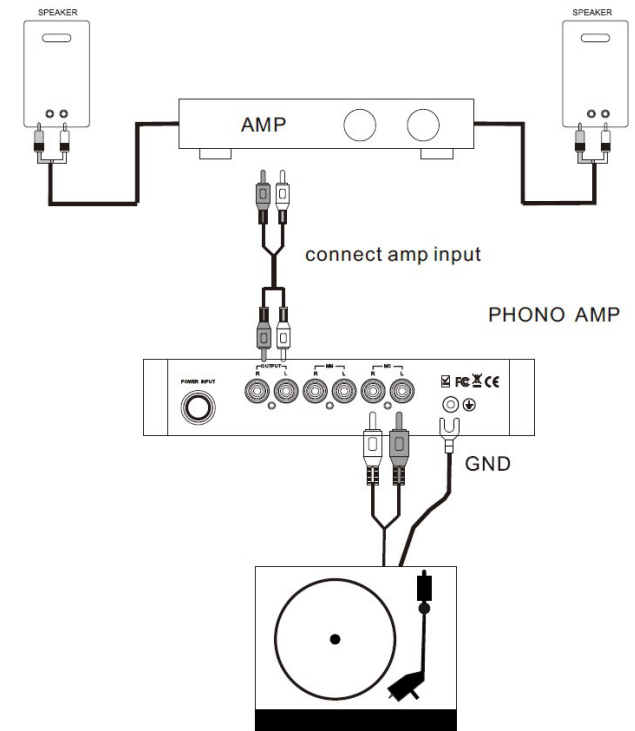
1. Power On/Off Button
2. MC impedance selector
3. Subsonic filter selector
4. MM or MC channel input

Rear Panel



1. External Power Input
2. RCA Output
3. MM Input
4. MC Input
5. Grounding Terminal

Connetion Diagram



Connections

- (a) Before making connections, ensure that the power switch is turned off.
- (b) Select "MM" or "MC" for Turntable cartridge input connections.
- (c) Use a grounding wire between turntable and phono preamplifier
- (d) Select "MM" or "MC" on front control panel