

**dared** Tube . The Purity of Sound

## VP-845LE User Manual

**dared**

[www.dared.com.hk](http://www.dared.com.hk)



Integrated Amplifier (15<sup>th</sup> Anniversary Edition)

Dear Customer:

Thanks you for purchasing this unit, brand-name Dared Vacuum Tube Amplifier. For Optimum performance and safety, please read this manual carefully and properly keep these manual handy for future reference.

Table of Contents:	Page
1. Safety Instructions.....	1
2. Feature.....	4
3. Front Panel and Controls.....	5
4. Rear Panel and Connections Diagram.....	5-6
5. Connections and how to use.....	6-7
6. Troubleshooting.....	8
7. Maintenance.....	9
8. Specifications.....	9

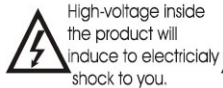
## 1. Safety Instructions

Caution: To reduce the risk of electric shock, do not remove screws/cover/back. No user-serviceable parts inside.

### The Explanation of Graphical Symbols



The lighting flash with arrowhead symbol, within an equilateral triangle, is intended to alert the user to the presence of uninsulated dangerous voltage sufficient magnitude to constitute a risk of electric shock to persons.



High-voltage inside the product will induce to electrically shock to you.



There is an important introduction for operation and maintenance.

The exclamation point within an equilateral triangle is intended to alert the user to the presence of important operating and maintenance (servicing) instructions in the literature accompanying the appliance.

### Warning:

To reduce the risk of fire, electric shock or product damage, do not expose this apparatus to rain, moisture, dripping or splashing and that no objects filled with liquids, such as vases, shall be place on the apparatus.

## 7. Maintenance:

Please switch OFF the units and make it cool enough then clean the dust on the surface of the product with soft brush or dry cloth periodically. When cleaning the vacuum tube please gently shake the tube and take it down, install the tubes in the same way after clean. Do not attempt to clean the unit with chemical solvents: this might damage the finish.

## 8. Specifications:

The Power Output.....	35Wx2
Frequency Response.....	20Hz-20kHz ( $\pm 1.5$ dB)
Harmonic Distortion.....	$\leq 1\%$
Signal to Noise Ratio.....	$\geq 84$ dB
Input Impedance.....	100kohm
Output Impedance.....	4ohm, 8ohm
Power Supply.....	AC100V-120V/50-60Hz AC220V-240V/50-60Hz
Dimensions.....	550x260x330mm(LxWxH)
Weight.....	34kg

The used Vacuum Tube: 845 x2, 6N8 x2, 12AX7 x2  
(Specifications subject to change without notice.)

## Important Safety Instructions

Read these Owner's Manual carefully before using the unit. Follow the safety instructions on the unit and the applicable safety instructions list below.

Keep these Owner's Manual handy for future reference.

1. Read these instructions. - All the safety and operating instructions should be read before the unit is operated.
2. Retain instructions. - The safety and operating instructions should be retained for future reference.
3. Heed all warnings. - All warnings on the unit and in the operating instructions should be adhered to.
4. Follow all instructions. - All operating and other instructions should be followed.
5. The unit should not be used near water for examples, near a bathtub, washbowl, kitchen sink, laundry tub, in a wet basement, or near a swimming pool, etc. The units belong to high -temperature and fragile products; the work temperature is up to 80 centigrade or more, No touching the vacuum tube and spilling the water on the tube! And keep the unit away from the babies and children.
6. Carts and Stands – The unit should be used only with a cart or stand that is recommended by the manufacturer. A unit and cart combination should be moved with care. Quick stops, excessive force, and uneven surfaces may cause the unit and cart combination to overturn.
7. Ventilation – The unit should be well situated so that its location or position does not interfere with its proper ventilation. For examples, the unit should not be situated on a bed, sofa, rug, or similar surface, that may block the ventilation openings; or placed in a built-in installation, such as a bookcase or cabinet that may impede the flow of air through the ventilation openings. To prevent risk of overheating, ensure that curtains and any other materials do not obstruct the ventilation vents.
8. Heat – The unit should be situated away from heat sources such as radiators, heat registers, stoves, or other apparatus that produce heat. Do not place sources of naked flames, such as lighted candles, on the unit.
9. Power Sources – The unit should be connected to a power supply only of the type described in the owner's manual or as marked on the unit.
10. Power – Cord Protection power supply cords should be routed so that they are not likely be walked on or pinched by items placed upon or against them. Paying particular attention to cords at plugs, convenience receptacles, and the point where they exit from the unit.
11. Unplug – The power cord of the unit should be unplug from the outlet during lighting storms or when left unused for long periods of time.
12. Do not operate the units under slant and shake condition or the filament of vacuum tube will be damaged.

13. When the product is moved from cool, to warm place, the dew will coagulate on the surface of vacuum tube, in this circumstance please patiently wait at least 1 hour to operate the unit to avoid of leakage or blowout of the vacuum tube due to sudden hot.

14. Grounding or polarization – Precautions should be taken so that the grounding or polarization is not defeated.

15. Speaker Connection – To reduce the risk of shock or fire and prevent short circuits, strictly follow the instructions for connecting speakers on page 6.

16. To prevent electric shock, match wide blade of plug to wide slot, fully insert.

17. Damage Requiring Service – The unit should be serviced by qualified service personnel when:-

- A. The power supply cord or the plug has been damaged; or
- B. Objects have fallen, or liquid has been spilled into the unit; or
- C. The unit has been exposed to rain or moisture; or
- D. The unit does not appear to operate normally or exhibits a marked change in performance; or
- E. The unit has been dropped.

And the user should not attempt to service the unit beyond those means described in the owner's manual.

18. Any unauthorized changes or modifications to this equipment would void the user's authority to operate this device.

Caution: Read this before operating your unit

1. To ensure the optimum performance, please read this manual carefully. Keep it in a safe place for future reference.
2. Install your unit in a cool, dry, clean place away from windows., heat sources, and too much vibration, dust, moisture or cold. Avoid sources of hum (transformers, motors). To prevent fire or electric shock, do not expose to rain and water.
3. Do not operate the unit upside down. It may overheat possibly causing damage.
4. Never open the cabinet. If a foreign object drops into the set, contact your dealer.
5. Do not use force on switches, knobs or cords. When moving the set, first turn off the unit. Then gently disconnect the power plug and the cords connecting to other equipment. Never pull the cord itself.
6. To prevent lightning damage. Pull out the power cord and remove the antenna cable during an electrical storm.

2) Minimize the volume control counterclockwise, then play music to prevent from damaging the speaker due to the unexpected strong signal; when you adjust volume at an appropriate level, you can skip this step next time;

3) When you select SELECTOR knob, firstly please turn down the volume knob counterclockwise and make it minimum then switch audio components input to avoid of damaging the speaker and your hearing due to the unexpected strong signal;

4) Prohibit connecting or disconnecting the speaker and audio equipment when the music is playing and prohibit playing the music when the speaker is not connected.

6. Troubleshooting

If the unit fails to operate normally, check the following points to determine whether the fault can be corrected by the simple measure suggested. If it cannot be corrected, or if the fault is not listed in the SYMPTOM column, disconnected the power cord and contact your authorized dealer or service center for help.

SYMPTOM	CAUSE	REMEDY
The unit fails to turn on when the POWER switch is pressed.	Power cord is not plugged in or is not completely inserted	Firmly plug in the power cord.
No Sound	The volume control is set to the fully counterclockwise position	Turn them clockwise.
	Connections cords are not connected securely to the INPUT terminals	Connect them securely.
	Speaker systems are not properly connected to this unit	Connect them correctly.
No sound is heard from the left and/or right speaker systems	Speaker systems are not properly connected to this unit	Connect them correctly.
	The signal input is not properly connected to this unit	Connect them correctly.
The acoustic image is unstable, characterized by unnatural sound and insufficient low-range tonal quality	The positive (+) and negative (-) polarities (of this unit and the speaker systems) are not matched	Reconnected the speaker systems to this unit so that the polarities are aligned.

Connect firmly and securely, make sure that both the audio components and amplifier are properly ground. Always turn off the power switches of both units when connecting or disconnecting the power and amplifier.

#### b) Connecting Speakers:

Connect a SPEAKERS system having an impedance of 4ohm to 8ohm provided on the rear panel. Please connect the SPEAKERS terminals to your speaker with wire of the proper gauge, cut as possible. If the connections are faulty, no sound will be heard from the speakers. Make sure that the polarity (+ & -) of the speaker wires is correct. The right and left speakers are connected to right and left terminals. Otherwise unnatural sound with poor bass response will be produced.

- . Use speakers with the specified impedance shown on the rear of this unit.

- . Banana plug connections are also possible. Simply insert the banana plug connector into the corresponding terminal.

\*When connecting banana plugs to this unit's speakers terminals, be sure to tighten the terminal knobs to make contact securely before connections.

#### Caution:

When inserting the stripped ends of the speaker wires as shown above, make sure at least 1/16inch (1.6mm) of insulation is inside the wire holders (i.e. no exposed wire is visible) and no loose conductor wire stands are protruding after connection. If wires touch each other or they touch the metal parts of this unit, this unit and/or speakers could be damaged. To prevent speaker wires from coming loose, make sure wire holders are firmly screwed in.

#### c) Connecting the power supply

After making sure the power switch is off, plug the AC power cord into a wall socket of the CORRECT voltage. When travelling, or otherwise not using the amp for extended periods of time, it is recommended that you unplug the cord from the AC outlet.

#### B. How to Use:

1) Please connect the speaker and audio components as per the introduction above before switch ON the power. Make sure the voltage of power outlet suit to the unit and all connections is correct;

7. When no planning to use this unit for long periods of time. (i.e. vacation, etc..) disconnect the AC power plug from the wall outlet.
8. Be sure to read the Troubleshooting section on common operating errors before concluding that your unit is faulty

#### We want you listening for a lifetime

Selecting fine audio equipment such as the unit you've just purchased is only the start of your musical enjoyment. Now it's time to consider how you can maximize the fun and excitement your equipment offers. This manufacturer and the Electronic Industries Association's Consumer Electronics Group want you to get the most importantly, without affecting your sensitive hearing. Sound can be deceiving. Over time your hearing comfort level adapts to higher volumes of sound. So what sounds normal can actually be loud and harmful to your hearing.

We recommend you to avoid prolonged exposure to excessive noise. Guard against this by setting your equipment at a safe level before your hearing adapts.

To establish a safe level:-

Start your volume control at a low setting.

Slowly increase the sound until you can hear it comfortably and clearly, and without distortion.

Once you have established a comfortable sound level:-

Set the dial and leave it there.

Taking a minute to do this now will help to prevent hearing damage or loss in the future. After all, we want you listening for a lifetime.

#### 2. Feature:

Small volume and lightweight;

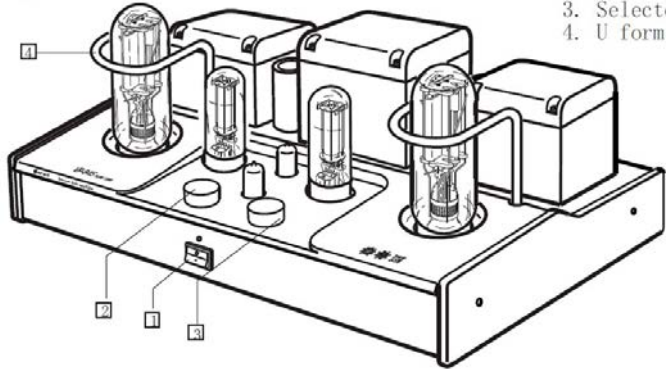
Special manufacturing crafts;

Elegant and aesthetic appearance;

Suit to appreciating and performance at the living room or other elegant environment.

### 3. Front Panel and Controls

Front Panel  
Fig. 1



1. Power
2. Volume
3. Selector
4. U form Safe Pole

#### 1. POWER switch/indicator (POWER)

Press this switch to switch ON the power. The indicator will illuminate while the power is ON.

Press the switch again, to switch off the power.

Attention: It only can be restarted after 5 minutes when being switch off, or it may be damage the tubes.

Note the following cautions.

Before switching ON the power, be sure to set the volume control (of the per-amplifier) to the lowest setting in order to avoid damage to the speakers.

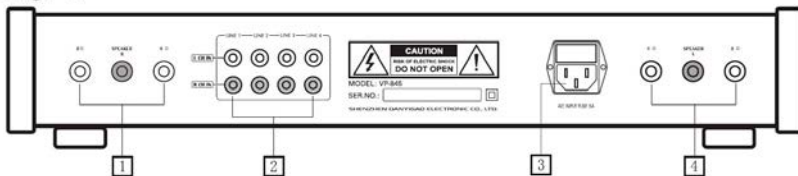
The speaker protection circuit functions to mute speaker sound reproduction for a few seconds after power is switched ON.

#### 2. Volume Control – For increasing/decreasing the volume.

#### 3. Selector – For selecting the different audio source, such as CD, Tap, AUX etc...

### 4. Rear Panel and Connections Diagram

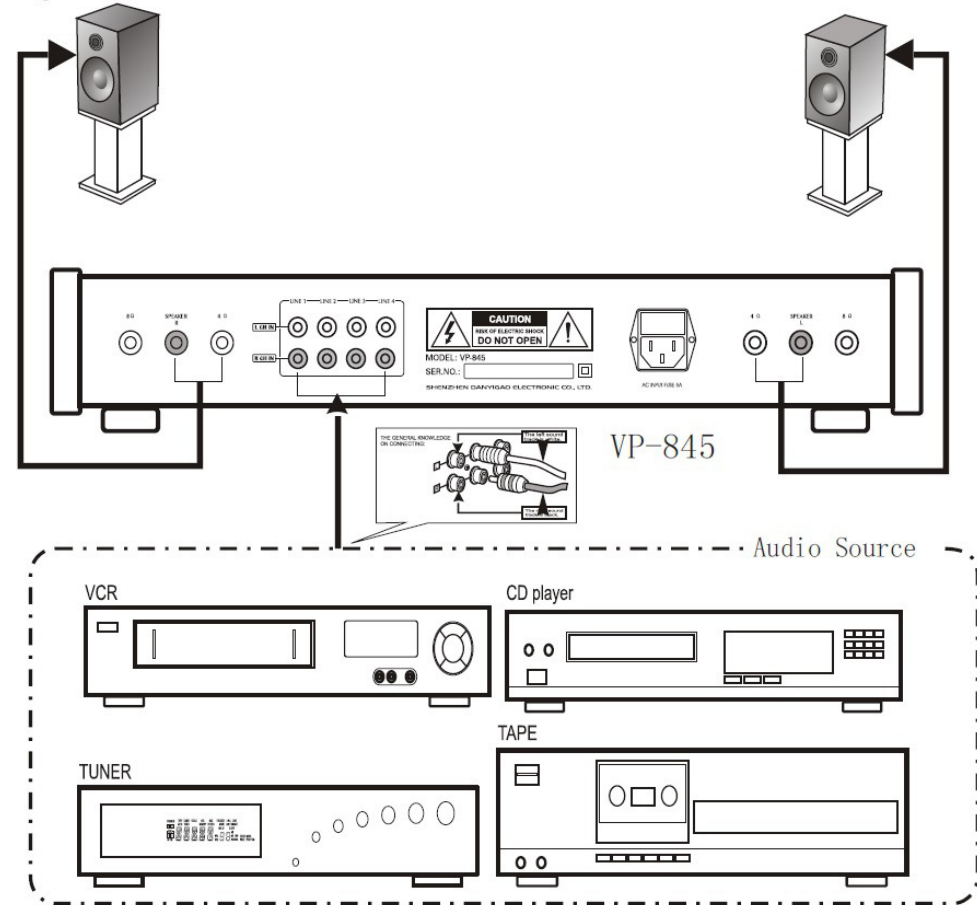
A. Rear Panel  
Fig. 2



1. The speaker output (Right)
2. The audio line input
3. AC power input socket (AC100-120V/50-60Hz), (AC220-240V/50-60Hz)
4. The speaker output (Left)

### B. Connections Diagram

Fig. 3



### 5. Connections and how to use

#### A. Connections

Before attempting to make any connections to or from this unit, be sure to first switch OFF the power to this unit and to any other components to which connections are being made.

When making connections between this unit and other components, make sure that all connections are made correctly, this is to say L(left) to L, R(right) to R, + to + and - to -. Also, refer to the owner's manual for each component to be connected to this unit.

#### A) Connecting various audio components

Connect the various audio components to the input terminals on the rear panel of this unit and make sure that the L channel to L and R channel to R. The plug pins on both ends of the connecting cords should be clean.